

Honeywell CAM-ASD V4

Addressable Switch Devices for AGL Series Circuits with Individual Lamp Control

Compliance with Standards

- EN 50490 (VDE 0161-106)
- CAO Aerodrome Design Manual, Part 5 (current edition)
- FAA AC 150/5345-47 (current edition)



Main Features

- Integrated component of Honeywell’s individual lamp control and monitoring system SLCM
- Installation independent of lamp position in the circuit - no manual addressing required before installation
- Supply and bi-directional communication with a control and monitoring system (CMS) via the series circuit cable, no additional control cable required
- Software download and configuration via the series circuit cable, no extra interface required
- Lamp state at power-up of the circuit: ON or OFF
- Automatic activation of a predefined fail-safe state at loss of control signal after 500 ms: ON or OFF or latest lamp state
- Maintenance of lamp state (ON/OFF) at short-term power failure (< 1 s)
- Microprocessor- driven devices

Design

- Encapsulated in polyurethane resin; all cables vulcanized to the body in a dust- and water-proof manner
- Standard FAA connectors (L-823)
- Type CAM-ASD 1: one lamp connection cable
- Type CAM-ASD 2: two lamp connection cables
- Address label incl. bar code

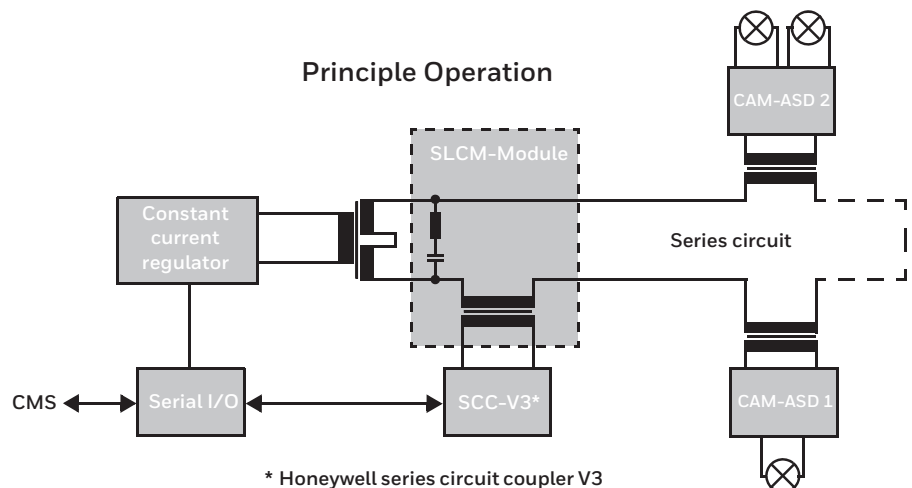
Functions

Selective Switching of Lamps and Lamp Groups

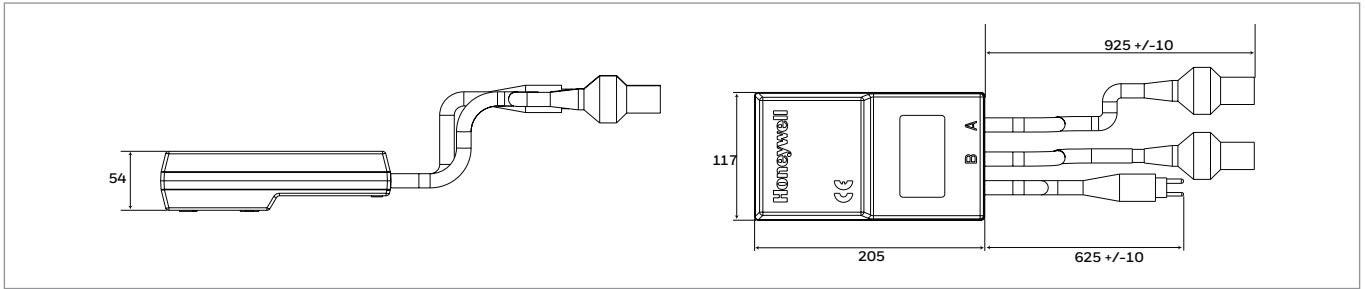
- Switching of one or two lamps (ON / OFF), like version
 - light with bulb
 - light with LED-lamp

Monitoring and Feedback of Lamp State

- Lamp ON (live)
- Lamp OFF (currentless)
- Lamp DEFECTIVE



Dimensions (mm)



Technical Data

MECHANICAL DATA	
CONNECTOR TYPES	<ul style="list-style-type: none"> • FAA Type L-823 • Plug: Class A, Type II, Style 1 • Receptacle: Class A, Type II, Style 8
DIMENSIONS (HXWXD)	54 x 205 x 117 mm
WEIGHT	2.6 +/- 0.1 kg
ENCAPSULATION	Polyurethane resin
PROTECTION CLASS	IP 68
MECHANICAL IMPACT PROTECTION	IK 09
MEAN TIME BETWEEN FAILURE	200,000 h

ELECTRICAL DATA					
POWER SUPPLY	Via series circuit cable				
CONSTANT CURRENT RANGE	1.3 A + 10 % / 2.8 A -10 % to 6.6 A +10 %				
LOAD RANGE (OHMIC LOAD)	8-330 W (LED & Halogen Lamps)				
POWER CONSUMPTION	4 W				
MAX. SWITCHING CAPACITY	<table border="1"> <thead> <tr> <th>CAM-ASD 1</th> <th>CAM-ASD 2</th> </tr> </thead> <tbody> <tr> <td>10 A/330 W</td> <td>10 A/330 W per lamp</td> </tr> </tbody> </table>	CAM-ASD 1	CAM-ASD 2	10 A/330 W	10 A/330 W per lamp
CAM-ASD 1	CAM-ASD 2				
10 A/330 W	10 A/330 W per lamp				
LIGHTNING PROTECTION	+2 kV symmetric According to EN 61000				
COMMUNICATION PROTOCOL	Polling with time slot procedure				

AMBIENT DATA	
OPERATING TEMPERATURE	-55 to +65 °C
STORAGE TEMPERATURE	-55 to +85 °C
HUMIDITY	100 %

Ordering Information

TYPE	ORDER NO.
CAM-ASD 1/V4	HAB-45000317
CAM-ASD 2/V4	HAB-45000319

Related Documentation

- Equipment Description and Operating Instructions (Doc. HAB-45000633-HBE)
- Brochure Single Lamp Control and Monitoring (Doc. 65 874 753-BRE)

For more information on these and other Honeywell Airport Systems products, visit

<http://www.honeywellairports.com>

Honeywell Airport Business

Americas

1985 Douglas Drive
North Golden Valley,
MN 55422-3992
Tel: 1.800.345.6770 ext.612

Europe & North Africa

Broedermannsweg 1,
22453, Hamburg,
Germany
Phone: +49 40 61144-0
Fax: +49 40 611 44-06

Middle East, Indian Subcontinent & Central Africa

Emaar Business Park Building 2, Level 2,
Office 201 P.O. Box 232362,
Sheikh Zayed Road
Dubai, UAE
Tel: +971 4 4540 685

Subject to alterations.

Doc. HAB-45000634-TDE | Rev 01 | 06/16
© 2016 Honeywell International Inc.